



TYP 120 S

Actuator		120 S, Spindle 10x3	120 S, Spindle 10x6***	120 S, Spindle 12x12***	120 S, Spindle 12x16***
Article number	Unit	12SMYYYYZZZZFFFX	12SNYYYYZZZZFFFX	12SIYYYYZZZZFFFX	12SJYYYYZZZZFFFX
Push force 12 - 24V	N	1000	500	400	300
Pull force 12 - 24V	N	1000	500	400	300
Push force 24 - 36V	N	1200	600	500	400
Pull force 24 - 36V	N	1200	600	500	400
Speed 12 - 24V	mm/s	10	20	40	45
Speed 24 - 36V	mm/s	12	25	45	50
Power rating	W	10...40	10...40	10...40	10...40
Max. stroke**	mm	213	301	449	518
Overall length	mm	Stroke + 70mm	Stroke + 70mm	Stroke + 70mm	Stroke + 70mm
Voltage	V/DC	12...24 or 24...36	12...24 or 24...36	12...24 or 24...36	12...24 or 24...36
Max. power input	W	50...80	50...80	50...80	50...80
Max. power consumption	A	1,5...4,0	1,5...4,0	1,5...4,0	1,5...4,0
Cable length	mm	1500	1500	1500	1500
Cycle duty (S3)	min	1 / 9 (10 %)	1 / 9 (10 %)	1 / 9 (10 %)	1 / 9 (10 %)
Environment temperature	°C	0...40	0...40	0...40	0...40
Protection rate*	IP	up to 41	up to 41	up to 41	up to 41
Isolation class		E	E	E	E
Weight (without spindle)	kg	0,35	0,35	0,35	0,35
Gear reduction		1:27	1:27	1:27	1:27
Pulse travel length (1-Hall)	mm/pulse	0,1105	0,2211	0,442	0,5926
Integrated end switches		No	No	No	No

Stroke tolerance (+/- 2mm) and operating speed depending on load and voltage

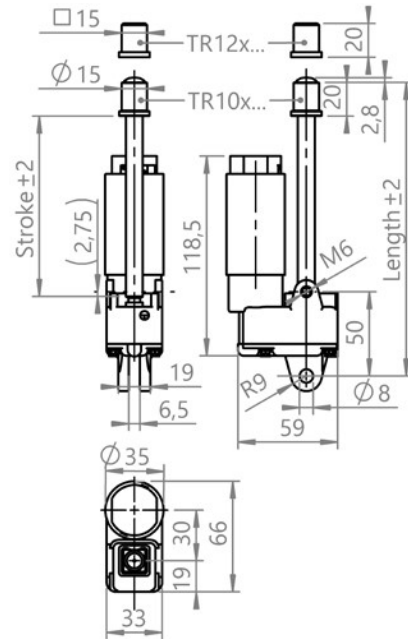
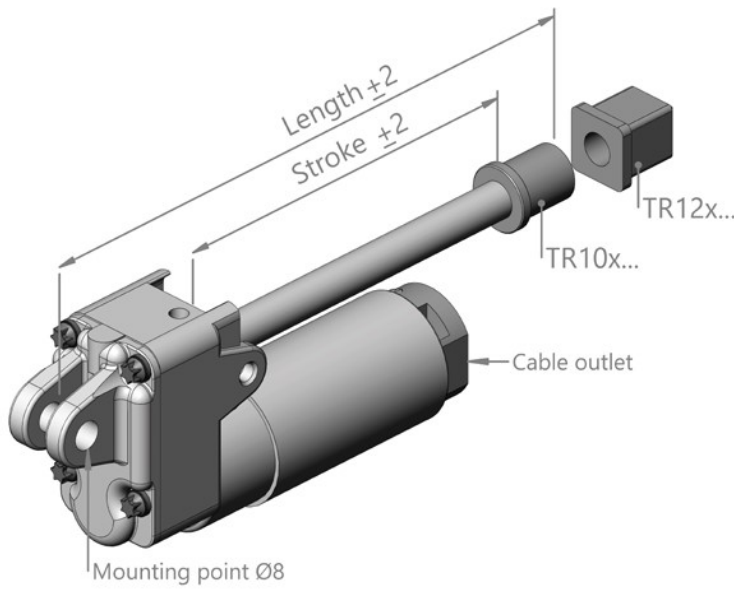
*Depends on installation position

**Related to spindle bending at safety factor SF=2

*** No self-locking

Controllers and add-on components see accessoires

ACTUATOR TYP 120 S



TYP 120 S

