



TYP 200 S

Actuator Article number	Unit	200 S, Spindle 16x2 20SAYYYYZZZLLL24	200 S, Spindle 16x3,6 20SDYYYYZZZLLL24	200 S, Spindle 16x4 20SEYYYYZZZLLL24	200 S, Spindle 16x8*** 20SGYYYYZZZLLL24
Push force max.	N	6000	6000	5400	2700
Pull force max. **	N	6000	6000	5400	2700
Speed (without load)	mm/s	6,8	12,3	13,6	27,2
Power rating	W	50....150	50....150	50....150	50....150
Max. stroke**	mm	375	272	287	406
Overall length 1	mm	Length 1= Stroke+160	Length 1= Stroke+160	Length 1= Stroke+160	Length 1= Stroke+160
Overall length 2	mm	Length 2= Stroke+130	Length 2= Stroke+130	Length 2= Stroke+130	Length 2= Stroke+130
Voltage	V/DC	24....48	24....48	24....48	24....48
Max. power input	W	300	300	300	300
Max. power consumption	A	2....12	2....12	2....12	2....12
Cable length	mm	1000	1000	1000	1000
Cycle duty (S3)	min	1 / 9 (10 %)	1 / 9 (10 %)	1 / 9 (10 %)	1 / 9 (10 %)
Environment temperature	°C	0....40	0....40	0....40	0....40
Protection rate*	IP	up to 54	up to 54	up to 54	up to 54
Isolation class		E	E	E	E
Weight (100mm stroke)	kg	2,2	2,2	2,2	2,2
Gear reduction		1:20,25	1:20,25	1:20,25	1:20,25
Pulse travel length (2-Hall)	mm/pulse	0,0989	0,1778	0,1975	0,3951
Integrated end switches		Yes	Yes	Yes	Yes

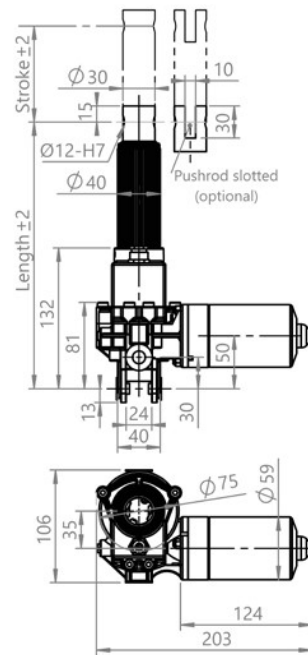
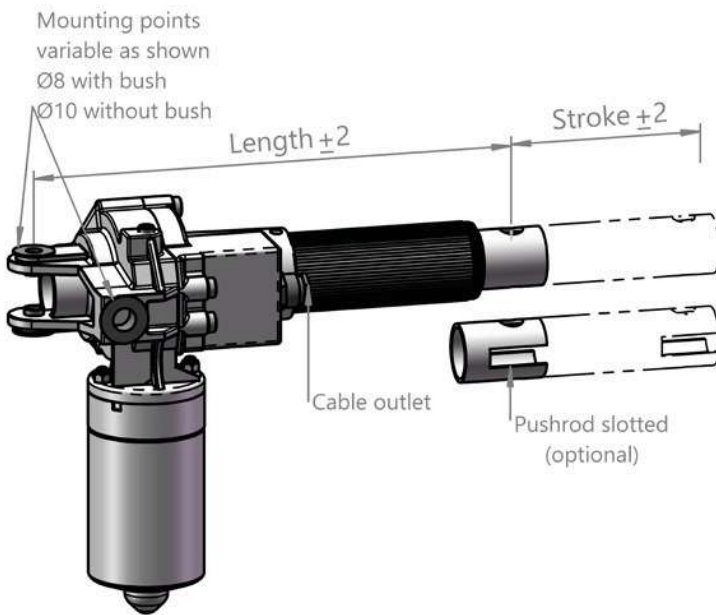
Stroke tolerance (+/- 2mm) and operating speed depending on load and voltage

*Depends on installation position

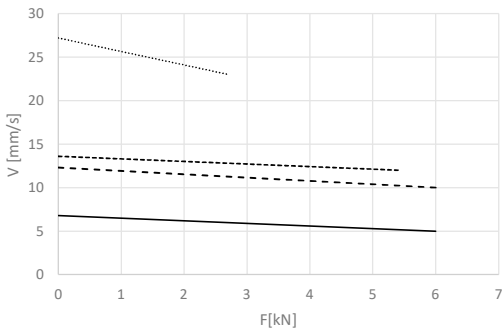
**Related to spindle bending at safety factor SF=2

*** No self-locking

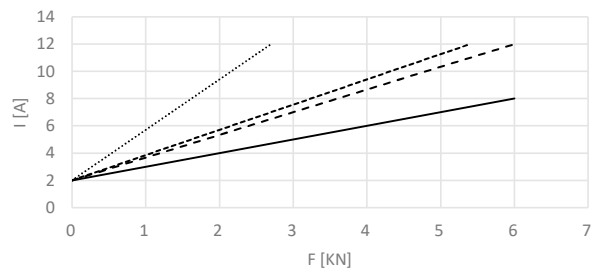
Controllers and add-on components see accessoires



TYP 200 S



— TR 16 x 2 - - - TR 16 x 3,6 ····· TR 16 x 4 ····· TR 16 x 8



— TR 16 x 2 - - - TR 16 x 3,6 ····· TR 16 x 4 ····· TR 16 x 8