



T 175/2

T 175/3

T 175/3 MINI

Lifter type		T 175/2	T 175/3	T 175/3 mini
Article number	Unit	T175I500640CCC24	T175K800580CCC24	T175K235245CCC24
Push force max.	N	800	800	800
Pull force max. **	N	400**	400**	400**
Max. lengthwise load statical	Nm	200	200	200
Max. lengthwise load dyn.	Nm	100	100	100
Max. lateral load statical	Nm	200	200	200
Max. lateral load dynamical	Nm	100	100	100
Speed (without load)	mm/s	25	25	25
Lifter version		2-stage	3-stage	3-stage
Max. stroke (custom made)**	mm	700 (max. 600N)	1000 (max. 600N)**	1000 (max. 600N)**
Retracted length (Standard)	mm	640	580	245
Stroke (Standard)	mm	500	800	235
Length/Stroke calculation	mm	Length=stroke+140	Length=stroke/2+180	Length=stroke/2+127,5
Fixing points inner profile ***		4 x M6	4 x M6	4 x M6
Fixing points outer profile***		4 x M6	4 x M6	4 x M6
Voltage	V/DC	24	24	24
Max. power input	W	144	144	144
Max. power consumption	A	6	6	6
Cable	mm	1200	1200	1450
Plug	Type	8-pin MAS 80S	8-pin MAS 80S	8-pin MAS 80S
Cycle duty (S3)	min	1 / 9 (10 %)	1 / 9 (10 %)	1 / 9 (10 %)
Environment temperature	°C	+10 to +40	+10 bis +40	+10 bis +40
Protection rate*	IP	up to 54	up to 54	up to 54
Isolation class		III	III	III
Weight	kg	5,3	7,1	3,8
Pulse travel length (2-Hall)	mm/Signal	0,1568	0,3137	0,3137
Integrated end switches		Yes	Yes	Yes

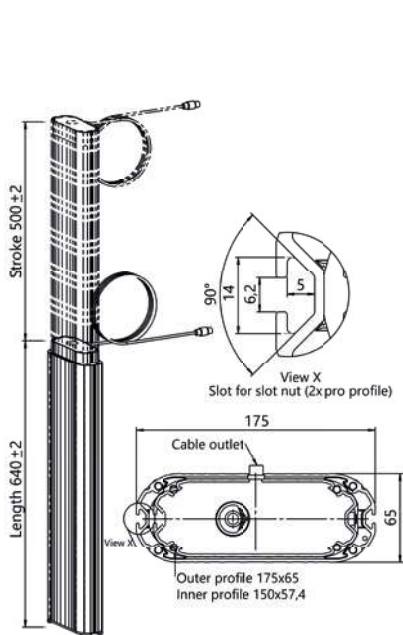
Stroke tolerance (+/- 2mm) and operating speed depending on load and voltage

*Depends on installation position

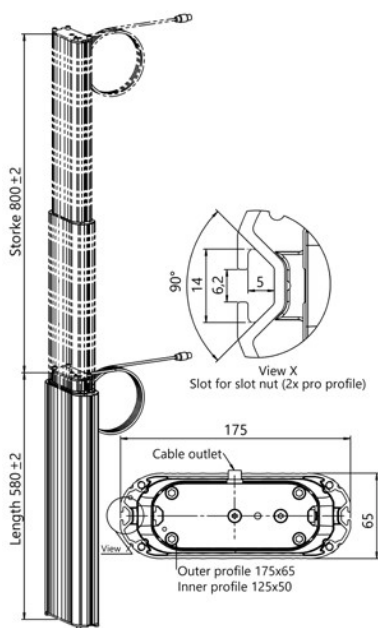
**Other retracted length/stroke/pull application on demand

*** Screws self cutting/forming according to DIN 7500, thread depth min. L= 2,5 x D

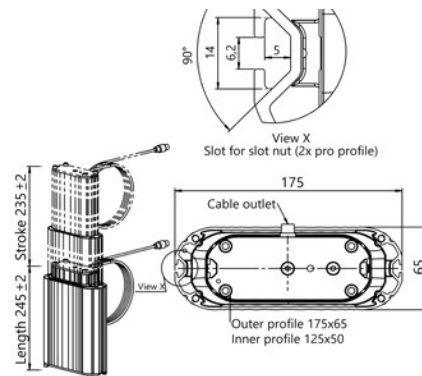
Controllers and add-on components see accessoires



T 175/2



T 175/3



T 175/3 MINI

