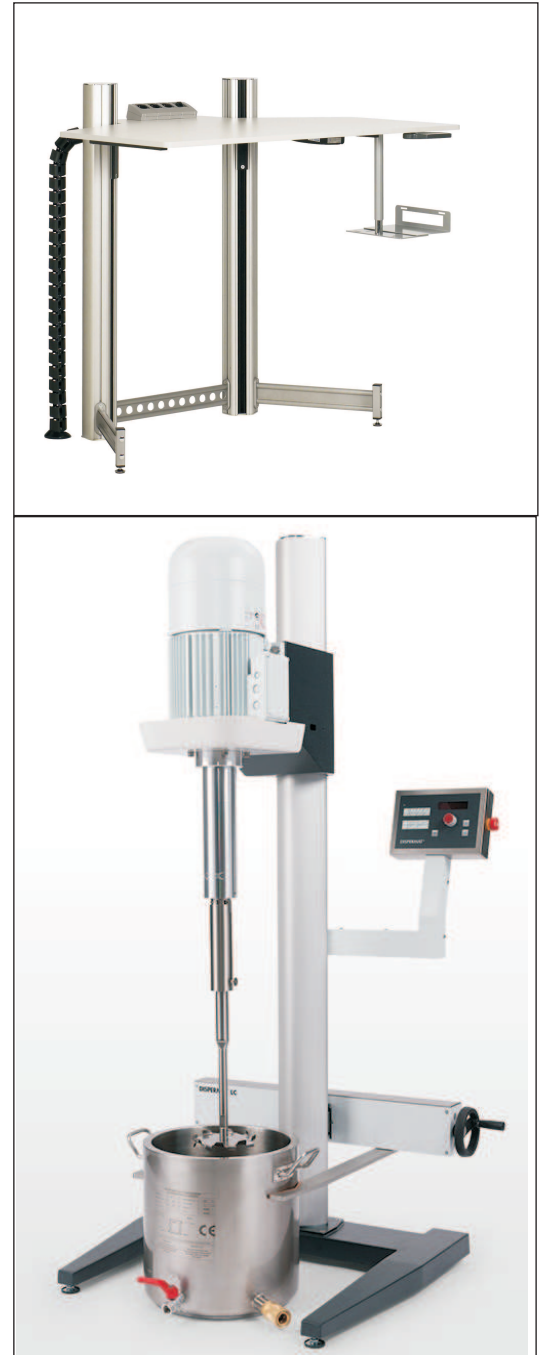
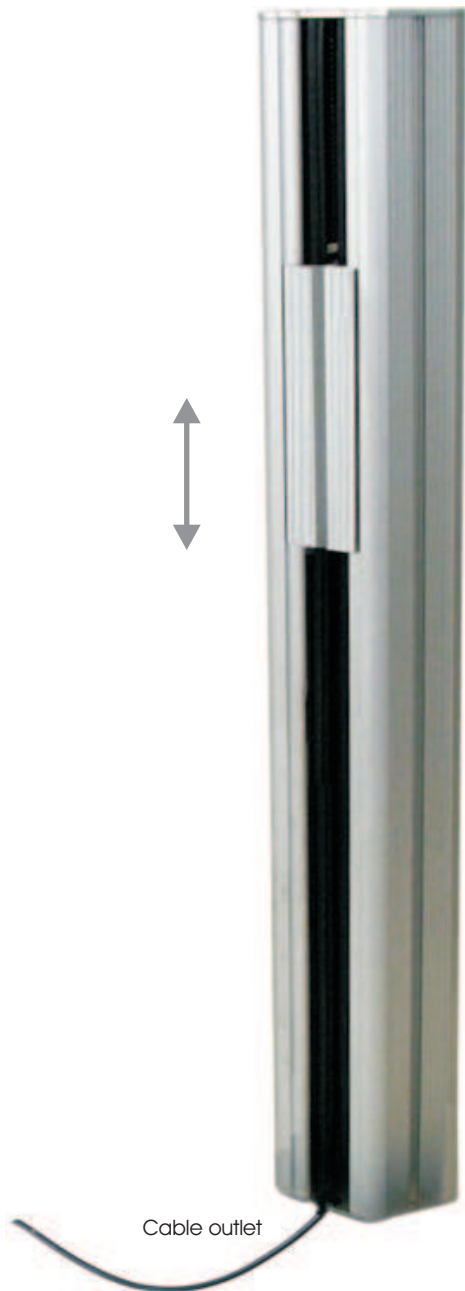


Slideway lifter I 140 ST

IS140XYYYZZZZDDD24



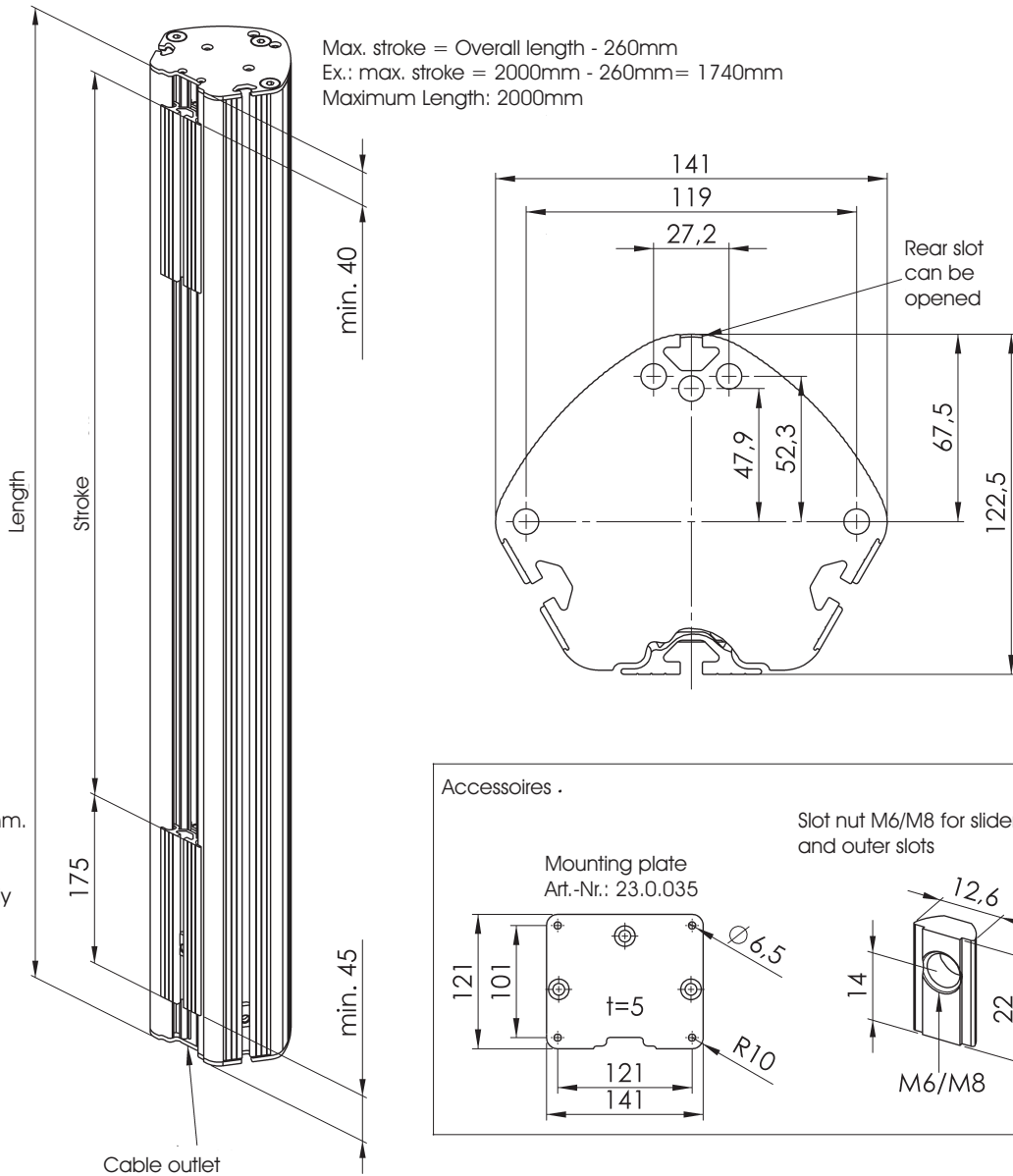
I-140 ST

Heavy duty slideway lifter employing large section aluminium profile suitable for lifting forces of up to 1800N and linear speeds to 50mm/sec. Internal gear motor drive is available with several lead screw pitch variants.

The I140 slideway lifter is also suitable for dual lifter applications, employing a synchronous control unit. This heavy duty lifter is for example employed for height adjustment of large plasma and LCD screens and equally for industrial work benches and industrial lifters.

Slideway lifter I 140 ST

IS140XYYYZZZZDDD24



Innenläufer	I 140 ST
Duty cycle	10% (S3)
Insulation class	E
IP rating	IP42
Cable connection	2,2m; 8-pin plug
Voltage[V]	12...36
Current [A]	1,5...8,0
Motor rating [W]	30...80
Maximum power [W]	< 200
Gear ratio	1 : 15,6
Pulse transmitter	Encoder: 2 pulse / rotor revolution
Limit switches	2 x integrated

Force [N] at 24V (pushing)	Tr12 x 3	1800
	Tr12 x 6*	800
	Tr12 x 12*	300
Speed [mm/s] at 24 V	Tr12 x 3	10
	Tr12 x 6*	25
	Tr12 x 12*	40
* no self-locking when maximum force is exceeded Stroke tolerance depends on load, voltage and spindle size!		