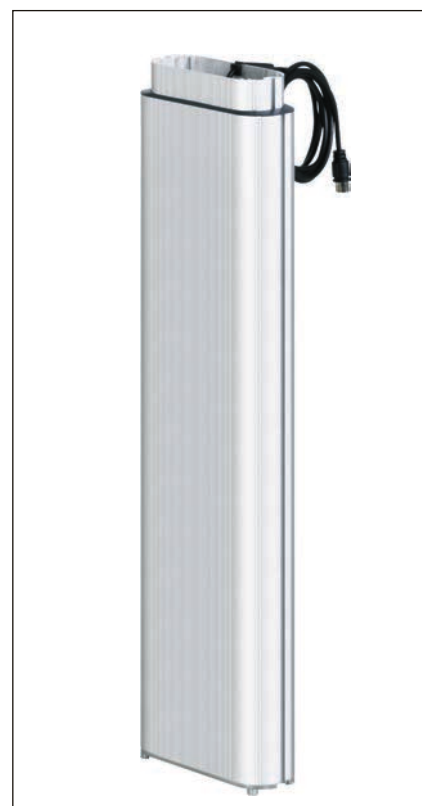


## Telescopic lifter T 175/2

T 175I500640CCC24



### T-175 /2

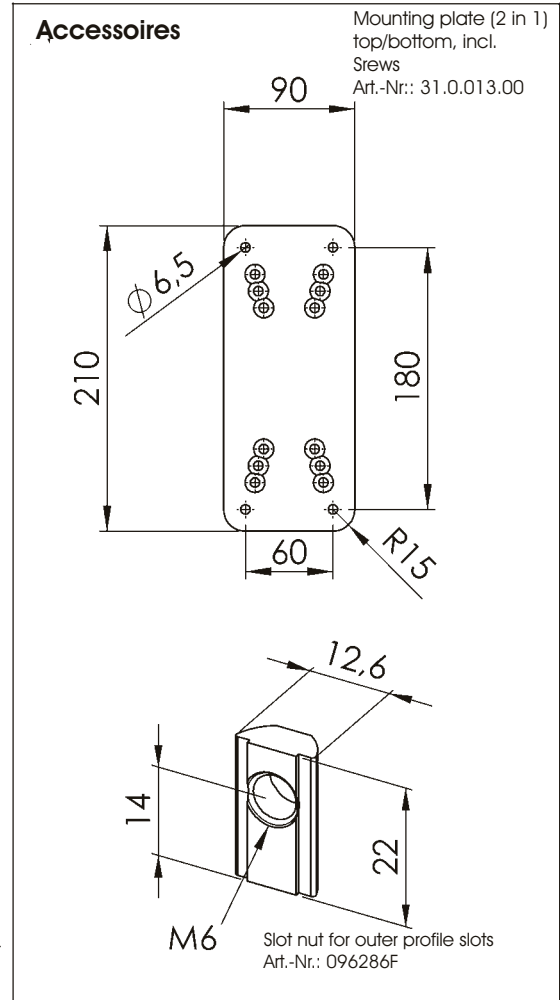
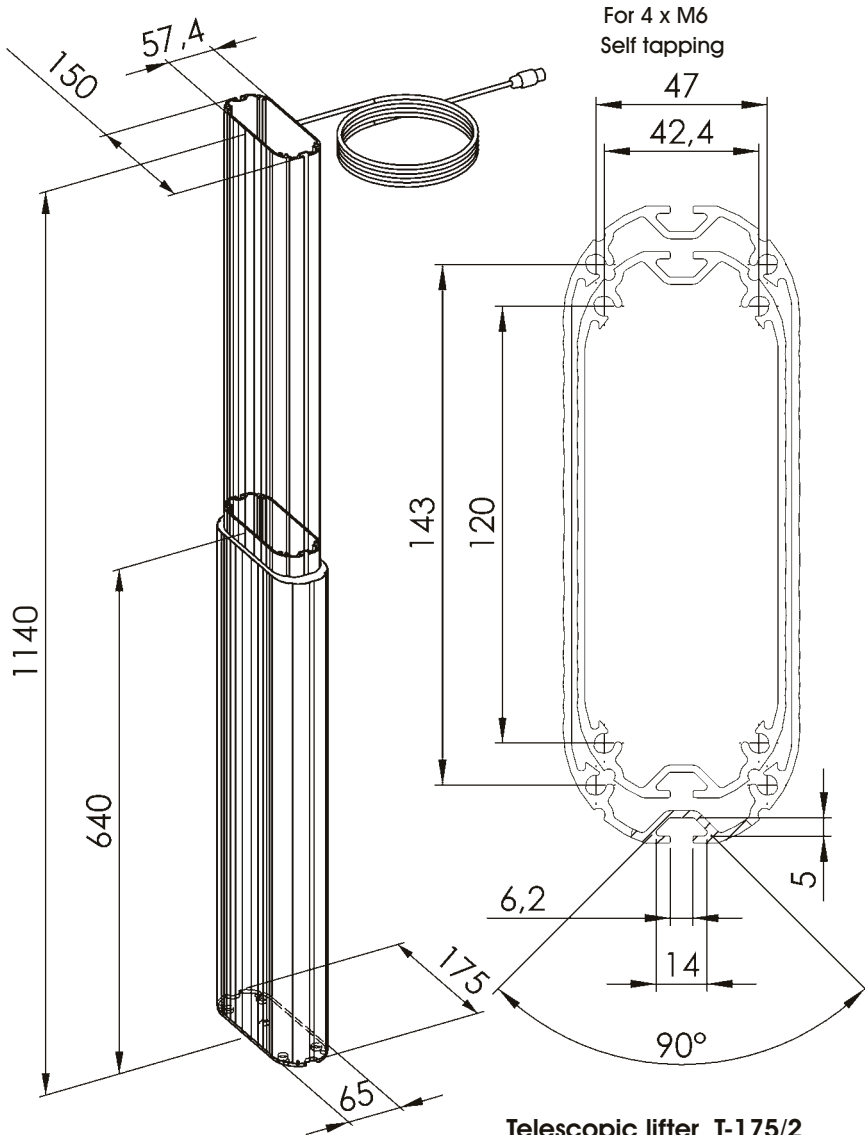
Single-stage telescopic pillar of modern design used in many lifting applications. Very quiet, internal DC actuator drive for lift forces to 800 N and linear speeds to 25 mm/sec. This pillar is especially suited to sitting/standing desk or other applications.

# Telescopic lifter T 175/2

T 175I500640CCC24

## T175/2

Other lengths and stroke please inquire  
Max. Lift: 1000mm, Fmax: 600N



### Telescopic lifter T-175/2

<b>Art.Nr.</b>	<b>T 175I500640CCC24</b>
<b>Max. Force (pushing):</b>	800 N
<b>Max. Turning moment:</b>	200 Nm in statically 100 Nm dynamically
<b>Max. Speed:</b>	25 mm/s at 24V without load
<b>Motor/Drive:</b>	Integrated DC drive 24 V with integrated Limit switches and two hall sensors
<b>Cable length:</b>	ca. 1200 mm, 8-pin plug
<b>Duty rating:</b>	10 % (S3) intermittend operation max. load (1 min. on /9 min. off)
<b>Installation geometry:</b>	preferably pushing
<b>Synchronous operation</b>	1- 12 lifters, max. force 2500N
<b>Temeratur range:</b>	+10° bis +40°
<b>IP:</b>	For use in dry environment
<b>Weight:</b>	5,3 kg

Stroke tolerance depends on load, voltage and spindle size  
Refer to accessoires section for assembly and mounting components