

## Telescopic lifter T 175/3mini

T 175K235245CCC24



### T-175 /3mini

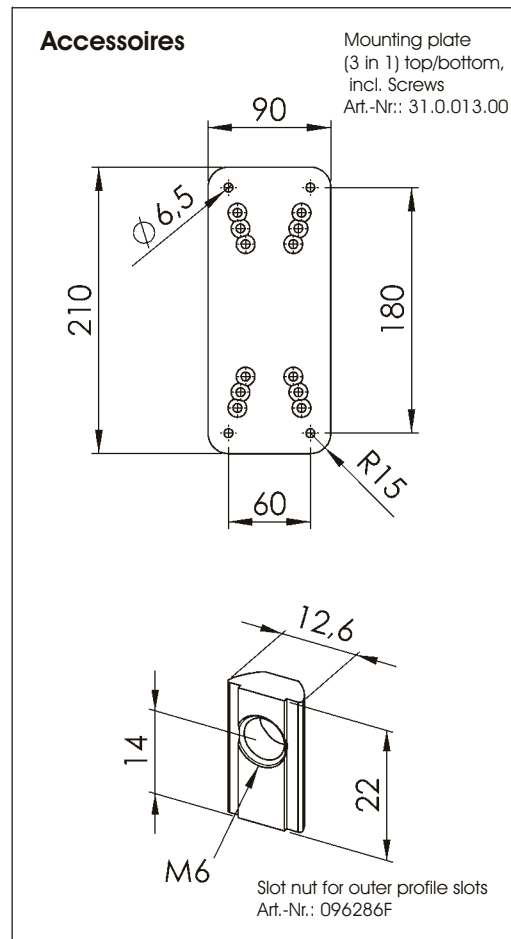
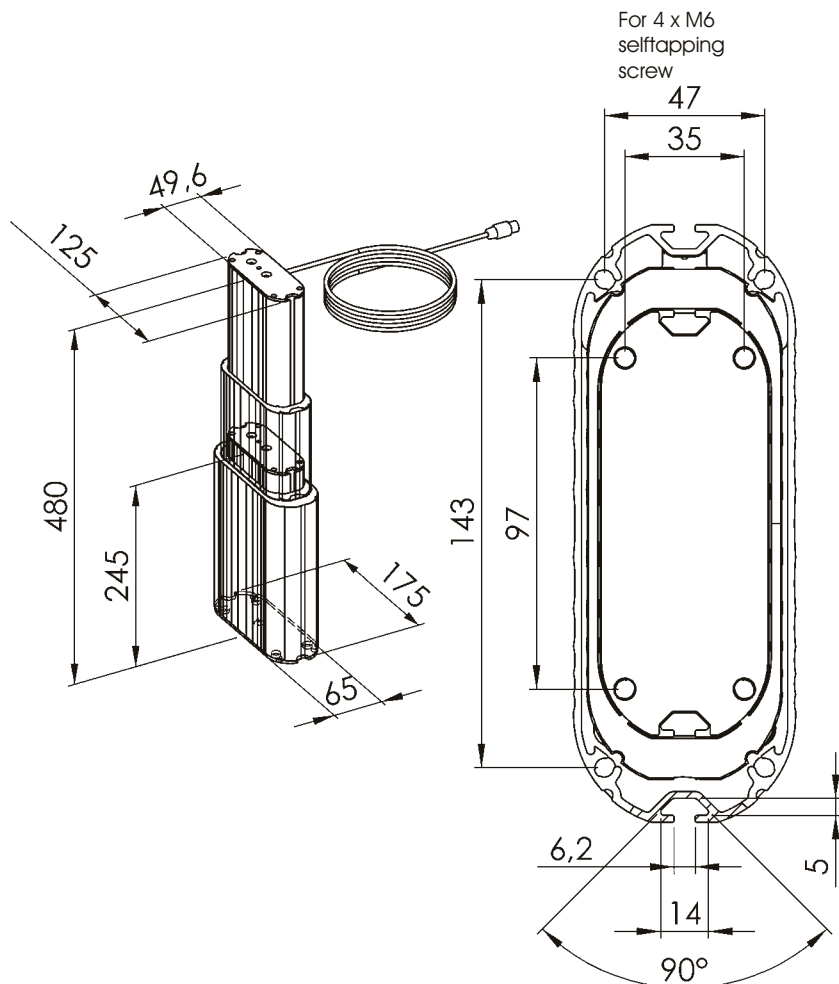
Two-stage telescopic pillar of modern design used in many lifting applications. Very quiet, internal DC actuator drive for lift forces to 800 N and linear speeds to 25 mm/sec. This pillar is especially suited for short retracted height. Max. retracted height 300mm.

# Telescopic lifter T 175/3mini

T 175K235245CCC24

## T175/3mini

Other lengths and stroke please inquire



### Telescopic lifter T-175/3mini

<b>Art.Nr.</b>	<b>T 175K235245CCC24</b>
<b>Max. Force (pushing):</b>	800 N
<b>Max. Turning moment:</b>	200 Nm statically 100 Nm dynamically
<b>Max. Speed:</b>	25 mm/s at 24V without load
<b>Drive/Motor:</b>	Integrated DC drive 24 V with integrated Limit switches and two hall sensors
<b>Cable length:</b>	1450mm, 8-pin plug
<b>Duty cycle:</b>	10 % (S3) intermittend operation max. load (1 min. on /9 min. Off)
<b>Installation geometry:</b>	Preferably pushing
<b>Synchronous operation:</b>	1- 12 lifters, max force 2500N (4 lifters)
<b>Temperature range:</b>	+10° to +40°
<b>IP:</b>	For use in dry environment
<b>Weight:</b>	3,8 kg

Stroke tolerance depends on load, voltage and spindle size

Refer to accessoires section for assembly and mounting components