

Telescopic lifter T 180/2

T 180N500640DDD24



T-180/2

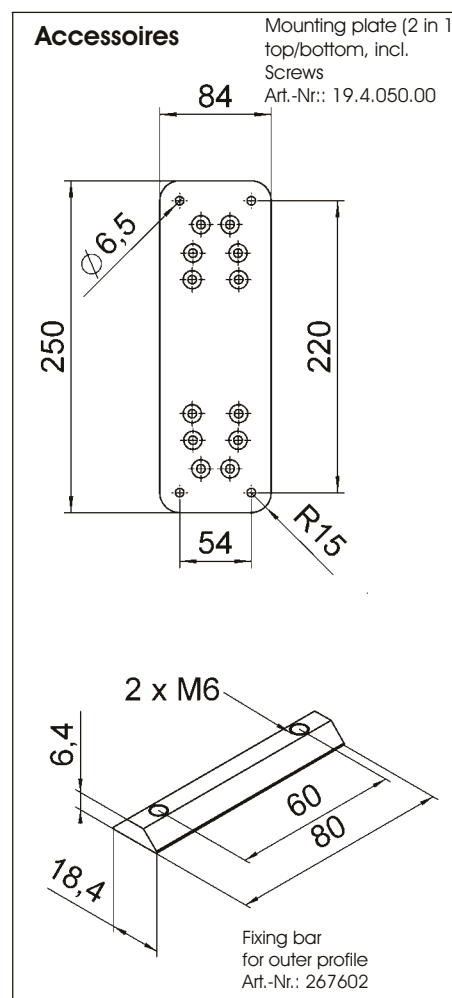
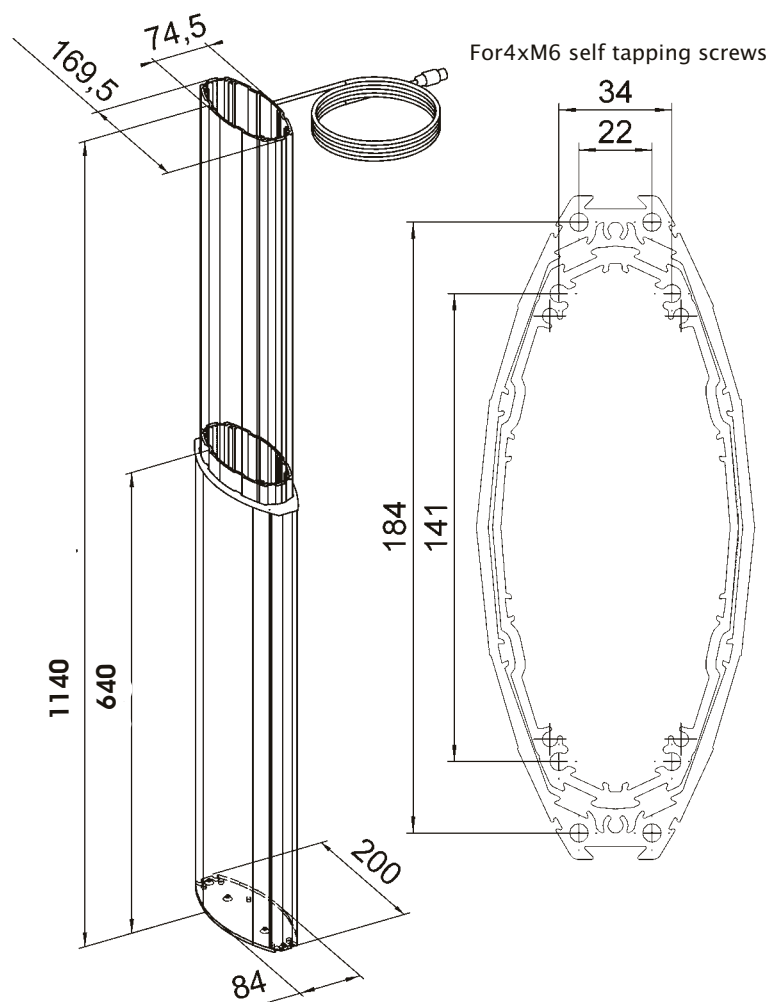
Larger section profile, single-stage telescopic pillar of modern design used in many lifting applications. Internal DC actuator drive for lift forces to 1500N and linear speeds to 25mm/sec. This pillar is especially suited to sitting/standing desk or workbench applications, where heavier loads can occur.

Telescopic lifter T 180/2

T 180N500640DDD24

T180/2

Other lengths and strokes please inquire



Telescopic lifter T 180/2

Art.Nr.	T 180N500640DDD24
Max. Force (pushing):	1500 N
Max. Turning moment:	200 Nm statically 100 Nm dynamically
Max. Speed:	25 mm/s at 24V without load
Drive/Motor:	Integrated DC drive 24 V with integrated Limit switches and two hall sensors
Cable length:	1200 mm, 8-pin plug
Duty rating:	10 % (S3) intermittend operation max. load (1 min. on /9 min. off)
Installation geometry:	preferably pushing
Synchronous operation:	1-12 lifters, max. force 2500 N
Temperatur range:	+10° to +40°
IP:	For use in dry environments only
Weight:	7,5 kg

Stroke tolerance depends on load, voltage and spindle size
 Refer to accessoires section for assembly and mounting components