

Telescopic lifter TR 126/2

TR126I500640AAA24

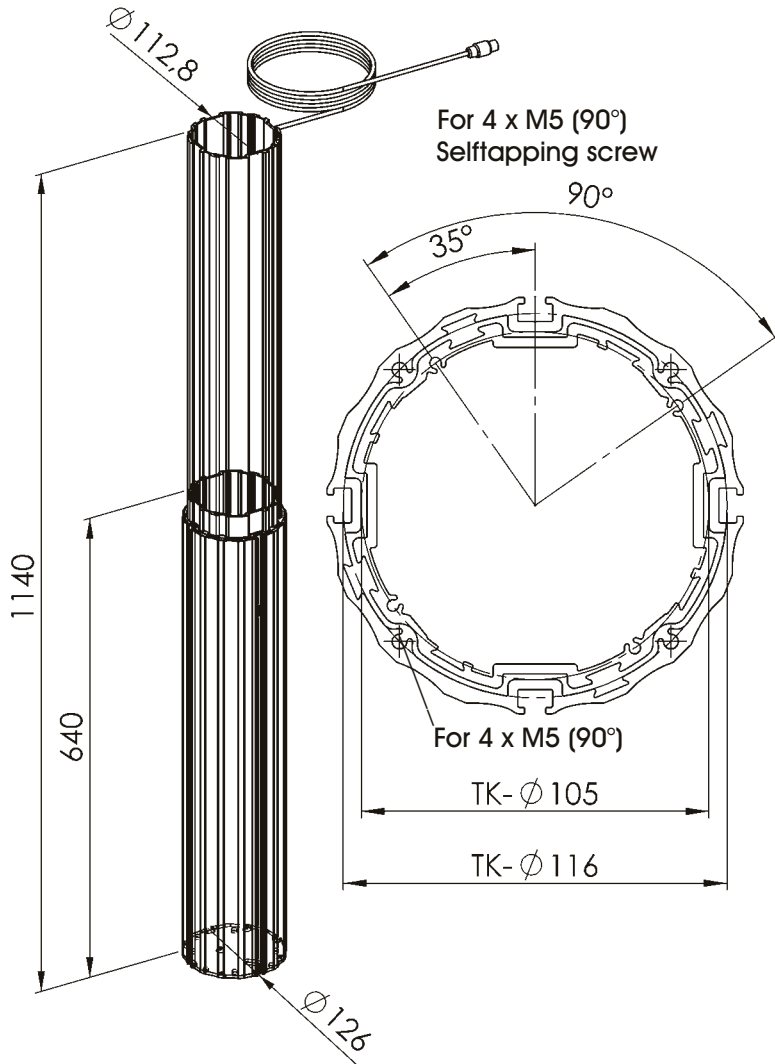


TR 126/2

Single-stage telescopic pillar of modern design used in many lifting applications. Very quiet, internal DC actuator drive for lift forces to 800 N and linear speeds to 25 mm/sec. This pillar is especially suited to sitting/standing desk or other applications.

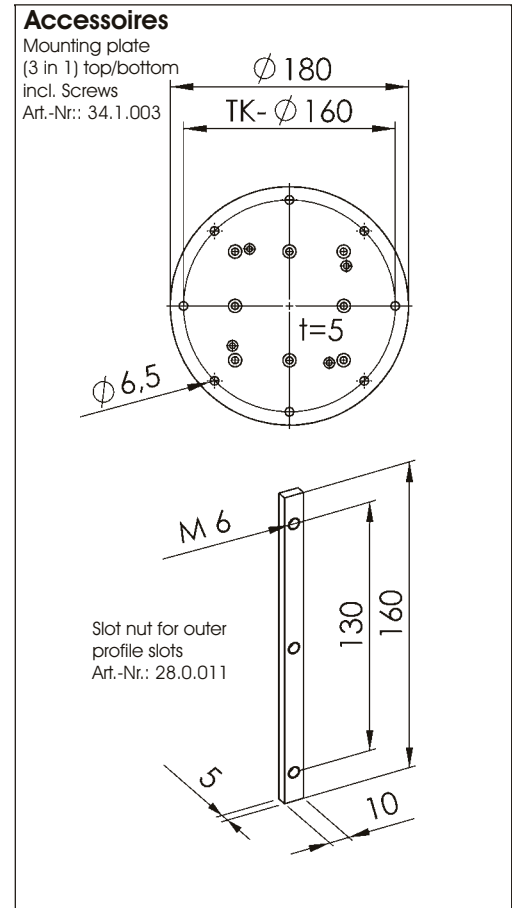
Telescopic lifter TR 126/2

TR126I500640AAA24



TR126/2

Other lengths and stroke please inquire



Telescopic lifter TR-126/2

Art.Nr.	TR126I500640AAA24
Max. Force (pushing):	800 N
Max. Turning moment:	200 Nm statically 100 Nm dynamically
Max. Speed:	25 mm/s at 24V without load
Motor/Drive:	Integrated DC drive 24V with integrated Limit switches and two hall sensors
Cable length:	1200 mm, 8-pin plug
Duty cycle:	10 % (S3) intermittend operation max. load (1 min. on /9 min. off)
Installation geometry:	Preferably pushing
Synchronous operation:	1- 12 lifters, max. force 2500N (4 lifters)
Temperature range:	+10° to +40°
IP:	For use in dry
Weight:	6,5 kg

Stroke tolerance depends on load, voltage and spindle size.

Refer to accessoires section for assembly and mounting components.