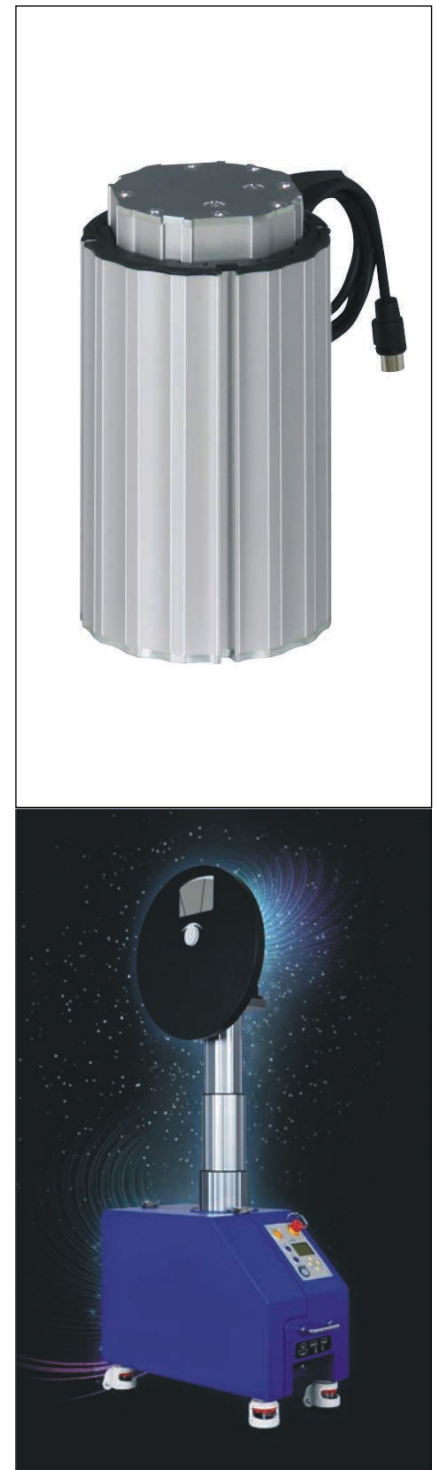


Telescopic lifter TR 126/3mini

TR126K200220AAA24

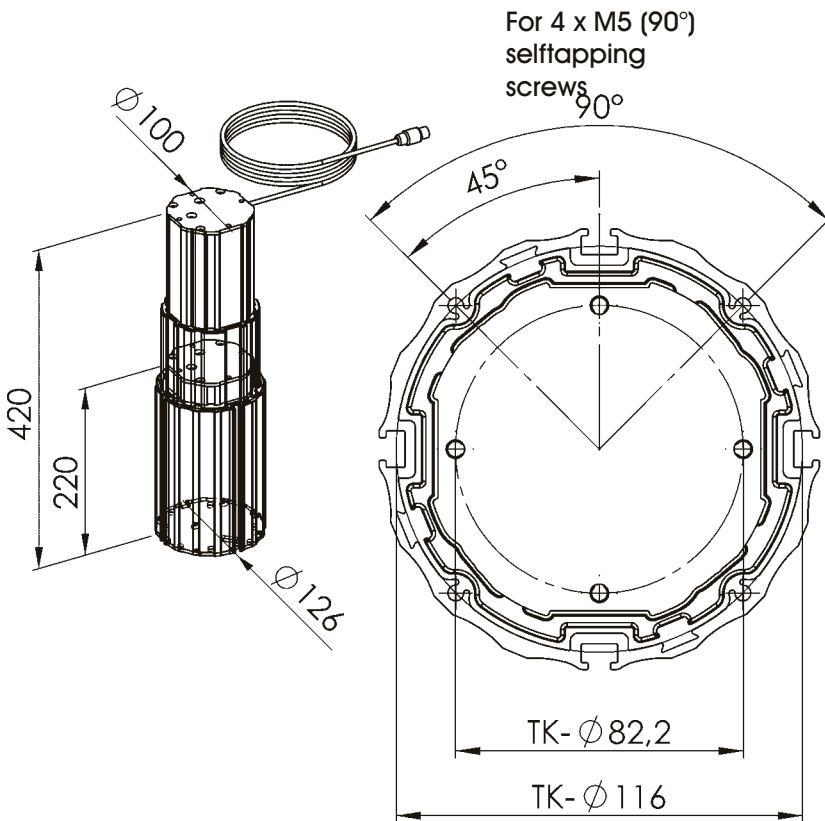


TR-126 /3mini

Worldwide smallest two-stage telescopic pillar of modern design used in many lifting applications. Very quiet, internal DC actuator drive for lift forces to 800 N and linear speeds to 25 mm/sec. This pillar is especially suited to sitting/standing desk or other applications where an extrem short retracted height is needed. Max. retracted length 300mm.

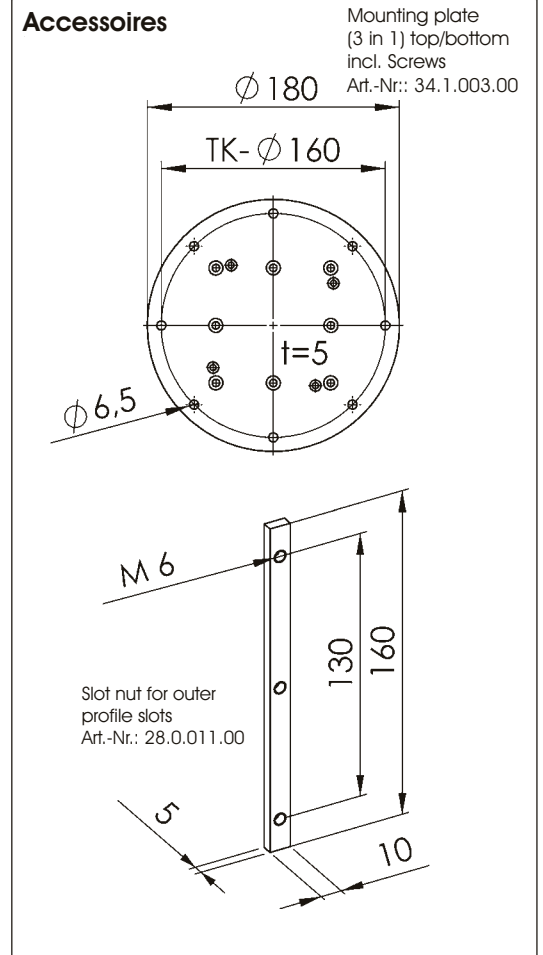
Telescopic lifter TR 126/3mini

TR126K200220AAA24



TR 126/3mini

Other length / stroke please inquire
 Max. retracted length 300mm



Telescopic lifter TR-126/3mini

Art.Nr.	TR126K200220AAA24
Max. Force (pushing):	800 N
Max. Turning moment:	200 Nm statically 100 Nm dynamically
Max. Speed:	25 mm/s at 24V without load
Motor/Drive:	Integrated DC drive 24V with integrated Limit switches and two hall sensors
Cable length:	1200 mm, 8-pin plug
Duty cycle:	10 % (S3) intermittend operation max. load (1 min. on /9 min. off)
Installation geometry:	Preferably pushing
Synchronous operation:	1- 12 lifters, max. force 2500N (4 lifters)
Temperature range:	+10° bis +40°
IP:	For use in dry environment
Weight:	4,2 kg

Stroke tolerance depends on load, voltage and spindle size.

Refer to accessoires section for assembly and mounting components.