

## ACTUATOR TYP DR-HM D



### TYP DR-HM D

Actuator	Unit	DR-HM D, Spindle 16x2 DRDAYYYYYZZZMKA24	DR-HM D, Spindle 16x4 DRDEYYYYZZZMKA24	DR-HM D, Spindle 16x8*** DRDGYYYYYZZZMKA24
Article number				
Push force max.	N	3000	3000	1500
Pull force max. **	N	3000	3000	1500
Speed (without load)	mm/s	4	8	16
Power rating	W	20....60	20....60	20....60
Max. stroke**	mm	531	385	545
Overall length	mm	Stroke +100	Stroke +100	Stroke +100
Voltage	V/DC	24....36	24....36	24....36
Max. power input	W	100....150	100....150	100....150
Max. power consumption	A	1,5....5,0	1,5....5,0	1,5....5,0
Cable length****	mm	200	200	200
Cycle duty (S3)	min	1 / 9 (10 %)	1 / 9 (10 %)	1 / 9 (10 %)
Environment temperature	°C	0....40	0....40	0....40
Protection rate*	IP	up to 32	up to 32	up to 32
Isolation class		E	E	E
Weight (without spindle)	kg	1,3	1,3	1,3
Gear reduction		1:35	1:35	1:35
Pulse travel length (1-Hall)	mm/pulse	0,0572	0,1143	0,2286
Integrated end switches		No	No	No

Stroke tolerance (+/- 2mm) and operating speed depending on load and voltage

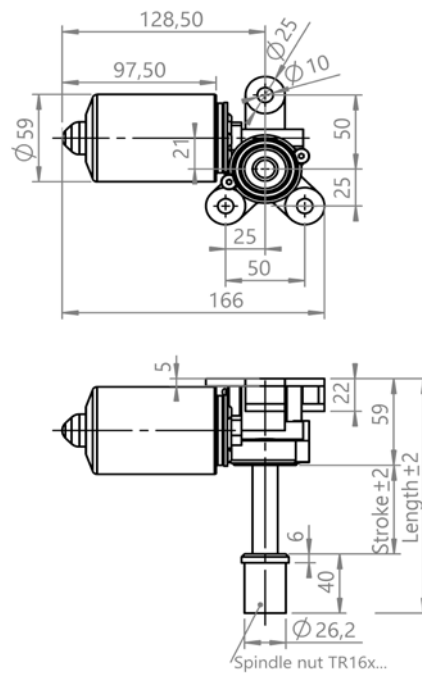
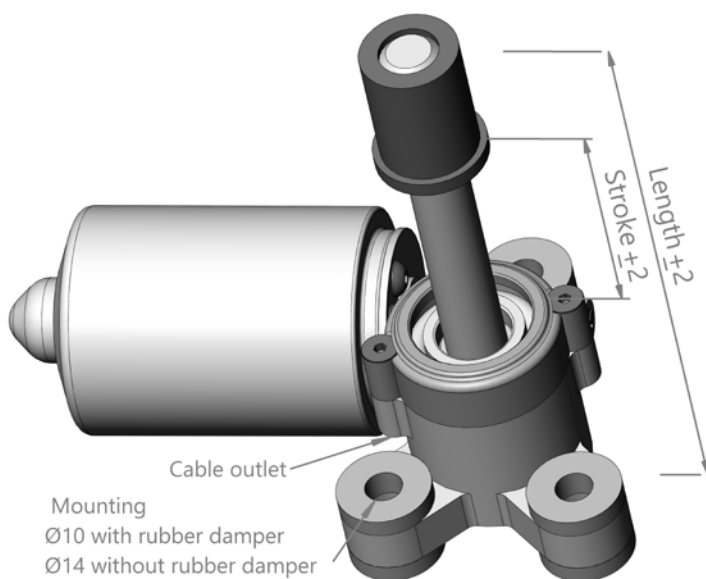
\*Depends on installation position

\*\*Related to spindle bending at safety factor SF=2

\*\*\* No self-locking

\*\*\*\* Plug type Molex Mini Fit Jr. if used with hallsensors  
 Controllers and add-on components see accessoires

## ACTUATOR TYP DR-HM D



## TYP DR-HM D

