

LIFTERS TR 126



TR 126/2

TR 126/3

TR 126/3 MINI

Lifter type	Unit	TR 126/2	TR 126/3	TR 126/3 mini	TR126/3S mini
Article number		TR126I500640AAR24	TR126K800580AAR24	TR126K200220AAR24	TR126L200220AAE24
Push force max.	N	800	800	800	1500
Pull force max. **	N	400**	400**	400**	400**
Max. lateral load statical	Nm	200	200	200	300
Max. lateral load dynamical	Nm	100	100	100	150
Speed (without load)	mm/s	25	25	25	15
Lifter version		2-stage	3-stage	3-stage	3-stage
Max. stroke (custom made)**	mm	700 (Fmax: 600N)**	1000 (Fmax: 600N)**	360 (Fmax: 600N)**	360 (Fmax: 1200N)**
Retracted length (Standard)	mm	640	580	220	220
Stroke (Standard)	mm	500	800	200	200
Length/Stroke calculation	mm	Length= Stroke+140	Length=Stroke/2+180	Length=Stroke/2+120	Length=Stroke/2+120
Fixing points inner profile***		4 x M5	4 x M5	4 x M5	4 x M5
Fixing points outer profile***		4 x M5	4 x M5	4 x M5	4 x M5
Voltage	V/DC	24	24	24	24
Max. power input	W	144	144	144	144
Max. power consumption	A	6	6	6	6
Cable	mm	1200	1200	1200	1200
Plug	Type	Molex Mini Fit Jr.	Molex Mini Fit Jr.	Molex Mini Fit Jr.	Molex Mini Fit Jr.
Cycle duty (S3)	min	1 / 9 (10 %)	1 / 9 (10 %)	1 / 9 (10 %)	1 / 9 (10 %)
Environment temperature	°C	+10 to +40	+10 to +40	+10 to +40	+10 to +40
Protection rate*	IP	up to 54	up to 54	up to 54	up to 54
Isolation class		III	III	III	III
Weight	kg	6,5	8,6	4,2	4,2
Pulse travel length (2-Hall)	mm/pulse	0,1568	0,3137	0,3137	0,1568
Integrated end switches		Yes	Yes	Yes	Yes

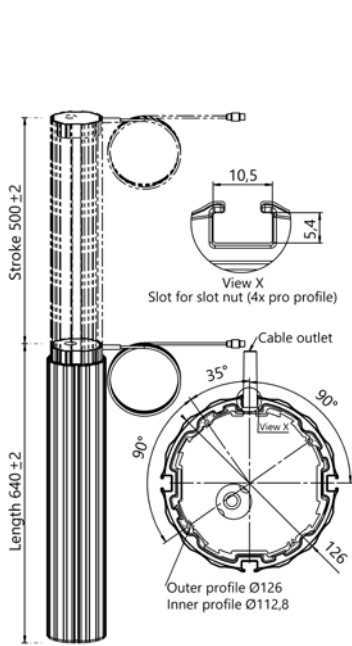
Stroke tolerance (+/- 2mm) and operating speed depending on load and voltage

*Depends on installation position

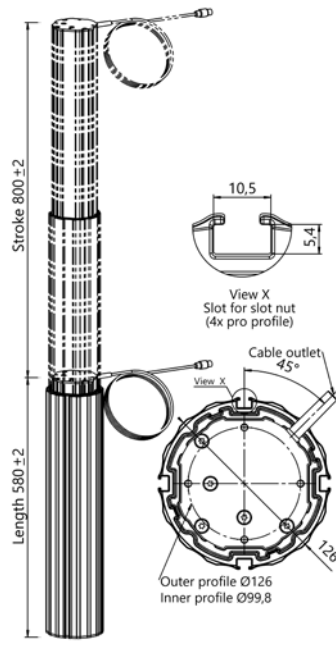
**Other retracted length/stroke/pull application on demand

*** Screws self cutting/forming according to DIN 7500, thread depth min. L= 2,5 x D
 Controllers and add-on components see accessoires

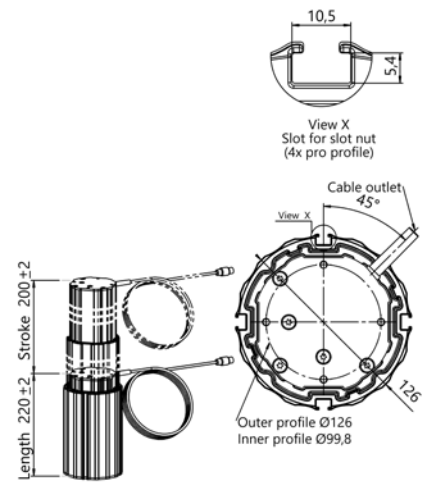
LIFTERS TR 126



TR 126/2



TR 126/3



TR 126/3 MINI

