

ACTUATOR TYP 110 D



TYP 110 D

Actuator		110 D, Spindle 10x3	110 D, Spindle 10x6	110 D, Spindle 12x12	110 D, Spindle 12x16	110 D, Spindle 12x3
Article number	Unit	11DCYYYYZZZCC24	11DNYYYYZZZCC24	11DIYYYYZZZCC24	11DJYYYYZZZCC24	11DMYYYYZZZCC24
Push force max.	N	1600	1000	800	600	1600
Pull force max. **	N	1600	1000	800	600	1600
Speed (without load)	mm/s	5	10	20	25	5
Power rating	W	30...80	30...80	30...80	30...80	30...80
Max. stroke**	mm	168	213	317	366	272
Overall length	mm	Length= Stroke + 69mm	Length= Stroke + 69mm	Length= Stroke + 69mm	Length= Stroke + 69mm	Length= Stroke + 69mm
Voltage	V/DC	12...36	12...36	12...36	12...36	12...36
Max. power input	W	200	200	200	200	200
Max. power consumption	A	1,5...8,0	1,5...8,0	1,5...8,0	1,5...8,0	1,5...8,0
Cable length	mm	200	200	200	200	200
Cycle duty (S3)	min	1 / 9 (10 %)	1 / 9 (10 %)	1 / 9 (10 %)	1 / 9 (10 %)	1 / 9 (10 %)
Environment temperature	°C	0...40	0...40	0...40	0...40	0...40
Protection rate*	IP	up to 32	up to 32	up to 32	up to 32	up to 32
Isolation class		E	E	E	E	E
Weight (without spindle)	kg	0,75	0,75	0,75	0,75	0,75
Gear reduction		1:62	1:62	1:62	1:62	1:62
Integrated end switches		No	No	No	No	No

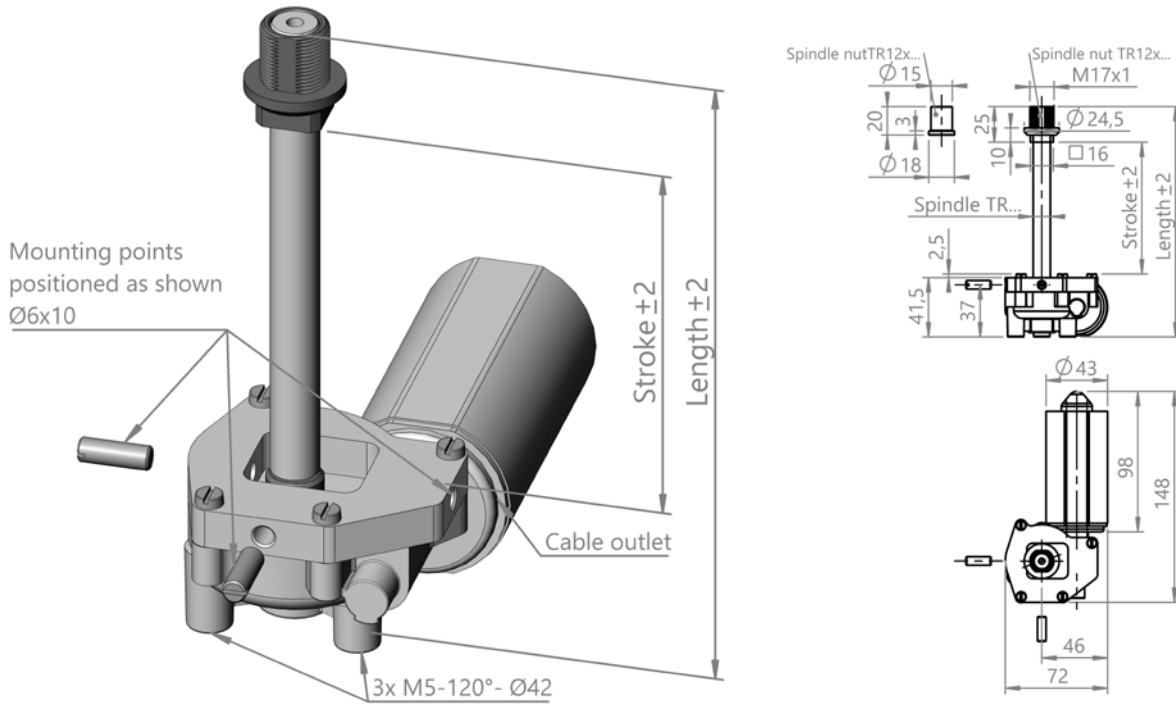
Stroke tolerance (+/- 2mm) force and operating speed depending on load and voltage

*Depends on installation position

**Related to spindle bending at safety factor SF=2

Controllers and add-on components see accessoires

ACTUATOR TYP 110 D



TYP 110 D

