

ACTUATOR TYP 110 E



TYP 110 E

Actuator Article number	Unit	110 E, Spindle 10x3 11ECYYYYZZZZDDD24	110 E, Spindle 10x6 11ENYYYYZZZZDDD24	110 E, Spindle 12x12 11EIYYYYZZZZDDD24	110 E, Spindle 12x16 11EJYYYYZZZZDDD24	110 E, Spindle 12x16 11EJYYYYZZZZDDD24
Push force max.	N	1600	1000	800	600	1600
Pull force max. **	N	1600	1000	800	600	1600
Speed (without load)	mm/s	5	10	20	25	5
Power rating	W	30...80	30...80	30...80	30...80	30...80
Max. stroke**	mm	168	213	317	366	288
Overall length 1	mm	Length 1= Stroke + 48,5	Length 1= Stroke + 48,5	Length 1= Stroke + 48,5	Length 1= Stroke + 48,5	Length 1= Stroke + 48,5
Overall length 2	mm	Length 2= Stroke +85	Length 2= Stroke +85	Length 2= Stroke +85	Length 2= Stroke +85	Length 2= Stroke +85
Voltage	V/DC	12...36	12...36	12...36	12...36	12...36
Max. power input	W	200	200	200	200	200
Max. power consumption	A	1,5...8,0	1,5...8,0	1,5...8,0	1,5...8,0	1,5...8,0
Cable length	mm	1100	1100	1100	1100	1100
Cycle duty (S3)	min	1 / 9 (10 %)	1 / 9 (10 %)	1 / 9 (10 %)	1 / 9 (10 %)	1 / 9 (10 %)
Environment temperature	°C	0...40	0...40	0...40	0...40	0...40
Protection rate*	IP	up to 32	up to 32	up to 32	up to 32	up to 32
Isolation class		E	E	E	E	E
Weight (100mm stroke)	kg	0,75	0,75	0,75	0,75	0,75
Gear reduction		1:62	1:62	1:62	1:62	1:62
Integrated end switches		Yes	Yes	Yes	Yes	Yes

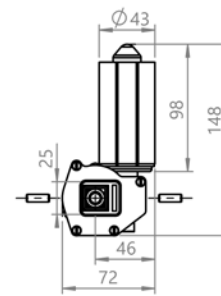
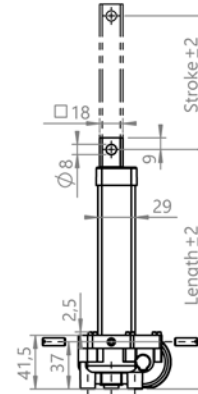
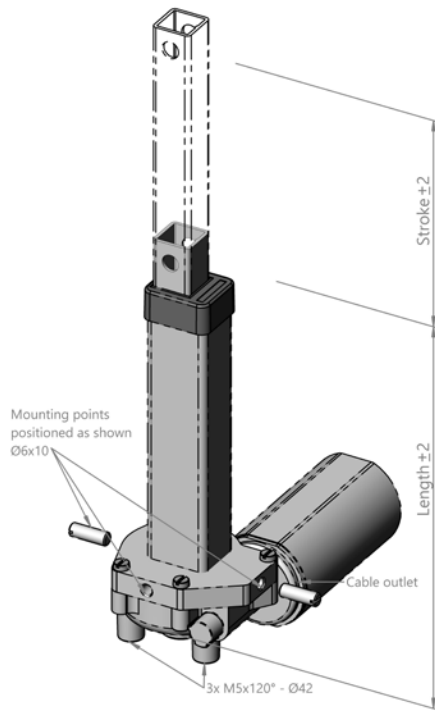
Stroke tolerance (+/- 2mm) and operating speed depending on load and voltage

*Depends on installation position

**Related to spindle bending at safety factor SF=2

Controllers and add-on components see accessoires

ACTUATOR TYP 110 E



TYP 110 E

