

ACTUATOR TYP Koax E



TYP Koax E

Actuator Article number	Unit	Koax E, Spindle 12x3 KDEMYYYYYZZZZMPP24	Koax E, Spindle 12x6*** KDEFYYYYZZZZMPP24
Push force max.	N	1800	1500
Pull force max. **	N	1200	1000
Speed (without load)	mm/s	8	15
Power rating	W	30....80	30....80
Max. stroke**	mm	272	298
Overall length 1	mm	Stroke + 82	Stroke + 82
Overall length 2	mm	Stroke +226	Stroke +226
Voltage	V/DC	12....24	12....24
Max. power input	W	< 200	< 200
Max. power consumption	A	1,5....5,0	1,5....5,0
Cable length****	mm	2600	2600
Cycle duty (S3)	min	1 / 9 (10 %)	1 / 9 (10 %)
Environment temperature	°C	0....40	0....40
Protection rate*	IP	up to 42	up to 42
Isolation class		E	E
Weight (100mm stroke)	kg	1,5	1,5
Gear reduction		1:35	1:35
Pulse travel length (2-Hall)	mm/pulse	0,0857	0,1714
Integrated end switches		Yes	Yes

Stroke tolerance (+/- 2mm) and operating speed depending on load and voltage

*Depends on installation position

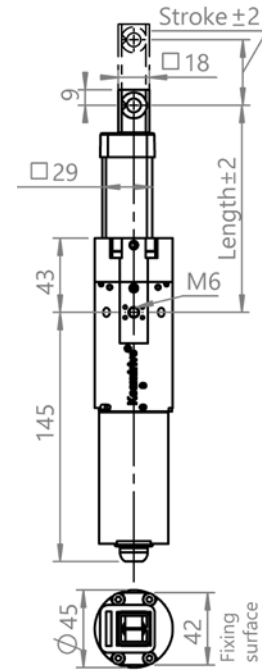
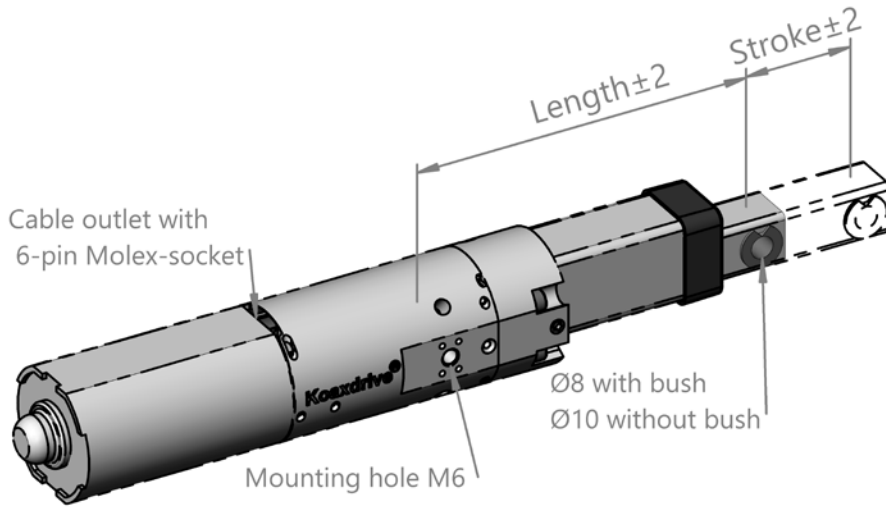
**Related to spindle bending at safety factor SF=2

*** No self-locking

**** Plug type Molex Mini Fit Jr. if used with hallsensors

Controllers and add-on components see accessoires

ACTUATOR TYP Koax E



TYP Koax E

